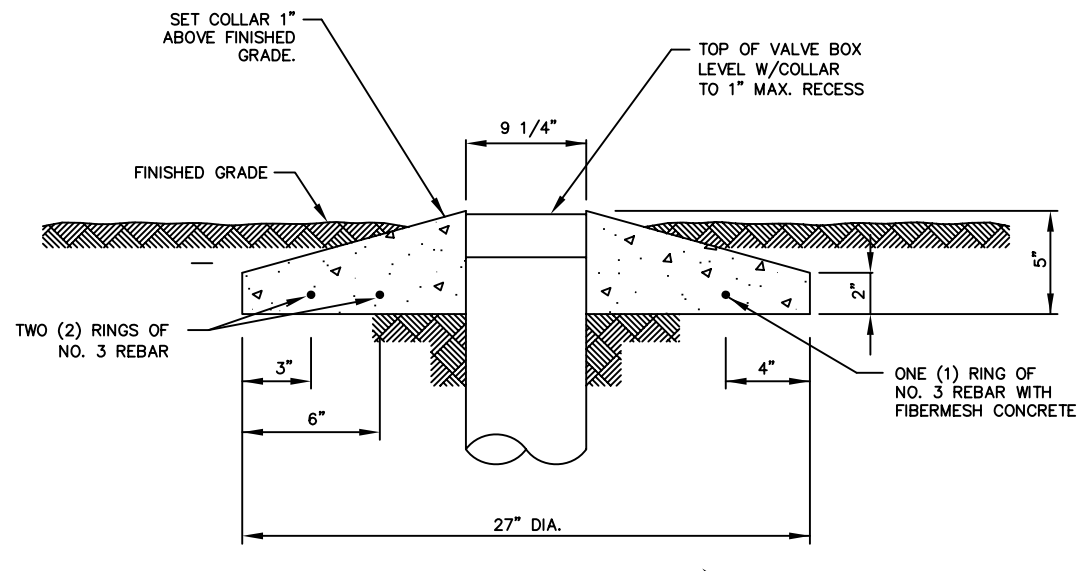


PLAN



SECTION A-A

PRECAST CONCRETE COLLAR

CHARLESTON WATER SYSTEM		
PRECAST CONCRETE COLLAR		
APPROVED BY: CWS	DATE: MAR 2000	DRAWING NO. 11
SCALE: NTS	REVISED: FEB 2010	