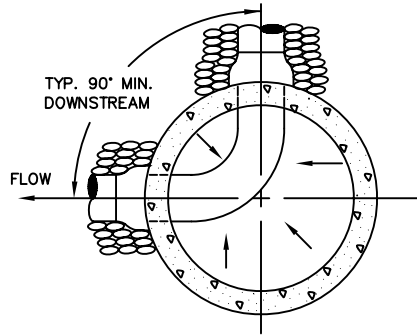
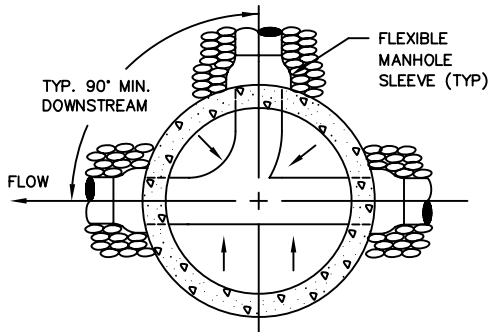


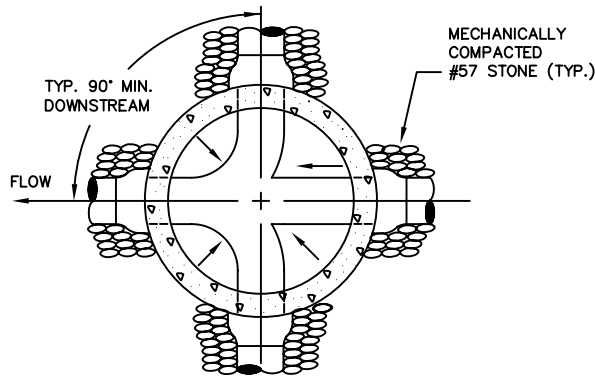
STRAIGHT



TWO-WAY INTERSECTION



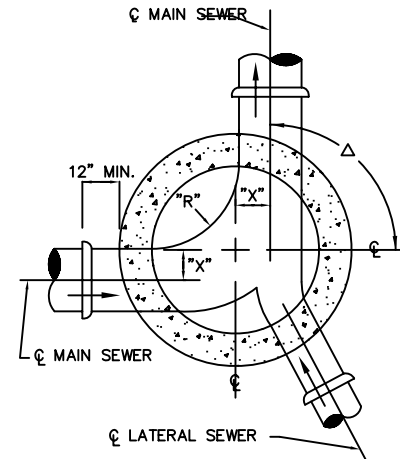
THREE-WAY INTERSECTION



FOUR-WAY INTERSECTION

STANDARD MANHOLES SCHEDULE OF GOVERNING DIMENSIONS					
PIPE SIZE	ANGLE Δ	INSIDE DIAMETER	"R"	"X"	"X'
8" TO 15"	0° TO 90°	4'-0" *	2'-0"		0"
16" TO 30"	0° TO 90°	5'-0"	2'-0"		6"
36" TO 42"	0° TO 60°	6'-0"	3'-0"		9"
36" TO 42"	60° TO 90°	6'-0"	3'-0"		1'-2"
48" OR LARGER	0° TO 45°	7'-0"	4'-0"		6"
48" OR LARGER	45° TO 90°	8'-0"	3'-0"		1'-3"

\*MANHOLE DEEPER THAN 8' SHALL BE 5' MIN.



TYPICAL STANDARD MANHOLE PLAN

NOTES:

1. TROWEL SHAPE INVERTS TO BE UNIFORM AND SMOOTH.
2. ARROWS INDICATE DIRECTION OF SLOPE.

TYPICAL MANHOLE PLAN AND INVERTS

CHARLESTON WATER SYSTEM

TYPICAL MANHOLE PLAN AND INVERTS

APPROVED BY: CWS	DATE: MAR 2000	DRAWING NO. 53
SCALE: NTS	REVISED: FEB 2010	