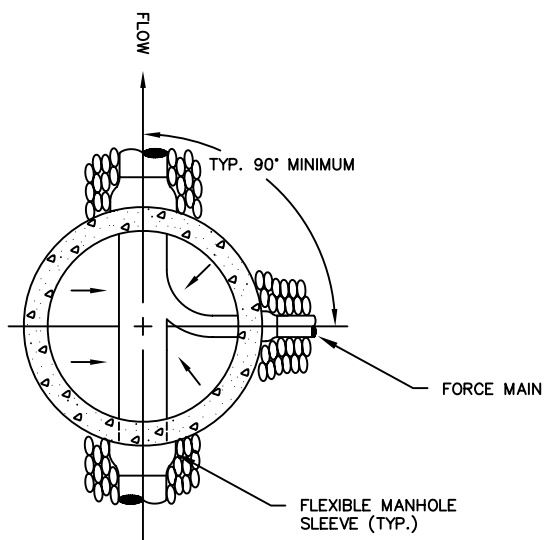


NOTES:

1. COAT INTERIOR OF RECEIVING AND NEXT DOWNSTREAM MANHOLES WITH RAVEN EPOXY 405 PROTECTIVE LINER AT A MINIMUM OF 120 MILS THICKNESS.
2. SEE TRACER WIRE AND MAGNETIC TAPE DETAIL FOR ADDITIONAL INFORMATION.



PLAN VIEW OF INVERT

FORCE MAIN TIE-IN AT MANHOLE

CHARLESTON WATER SYSTEM		
FORCE MAIN TIE-IN AT MANHOLE		
APPROVED BY: CWS	DATE: MAR 2000	DRAWING NO. 67
SCALE: NTS	REVISED: FEB 2010	